

V-MAX TERMINATION TOOL FOR THE V-MAX KEYSTONE JACK SERIES

Jack2Rack

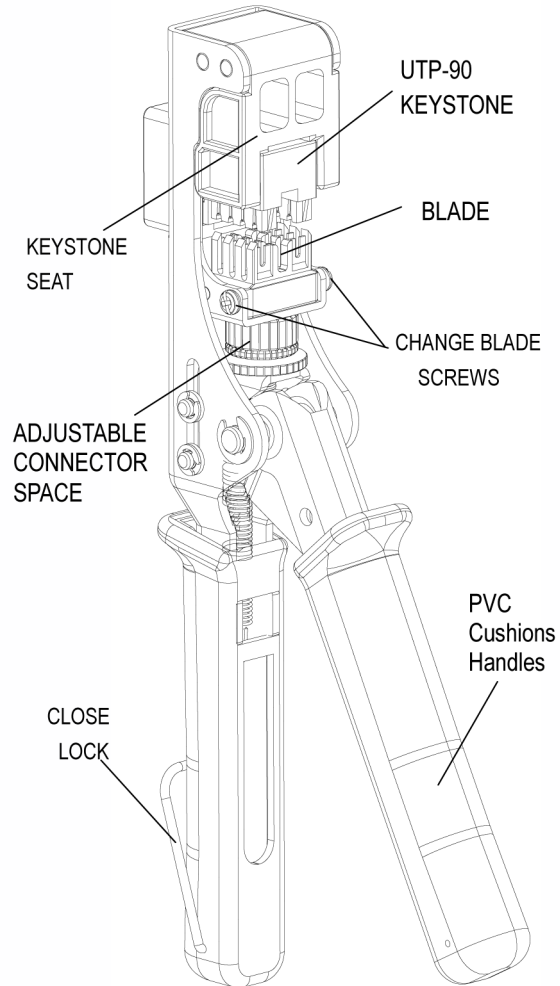
SKU: 078-2150

DESCRIPTION

Termination Tool for the V-Max Keystone Jack Series. Makes terminating a V-Max Jack as easy as 1-2-3.

FEATURES

- Made of Carbon Steel
- Black Oxide finished
- Alloy Steel Blade
- Easily Blade replacement



Length: 8.6" (218+/-3mm) Weight: 380 g

Jack2Rack

Tel: 951 696-5481

Tel: 951 696-5478

Email: sales@jack2rack.com



Replacement Blades SKU #078-2151

www.jack2rack.com

Rev. 09/2011