

# CAT6 12 PORT MINI PANEL WITH MOUNTING BRACKET

# Jack2Rack

## DESCRIPTION

CAT6 12 Port-Mini 110-IDC Patch Panel,  
1U, 2-1/4"(W)x10"(H)x1-3/4"(D)

## FEATURES

- High Impact Patch Panel
- Tough Black Painted Finish
- Number Labeled for Easy Identification
- Writable & Erasable Marking Surfaces
- 568A & 568B Wiring Color Codes
- Backwards Compatible to Cat5, Cat5E
- 110 IDC Terminals
- ETL Verified to TIA/EIA 568-B.2



**SKU: 042-2134**

### Panel

Material	SECC
Thickness	1.6mm
Plated	Black

### IDC Connector

Operating Life	Min. 250 Reterminations
IDC Contact Material	Alloy C2680-H
IDC Thickness	0.8mm
IDC Plating Housing	Bronze & Tinned
Plastin Housing	Fireproof PC
Compability	22-26AWG Solid Wire

### Jack Connector

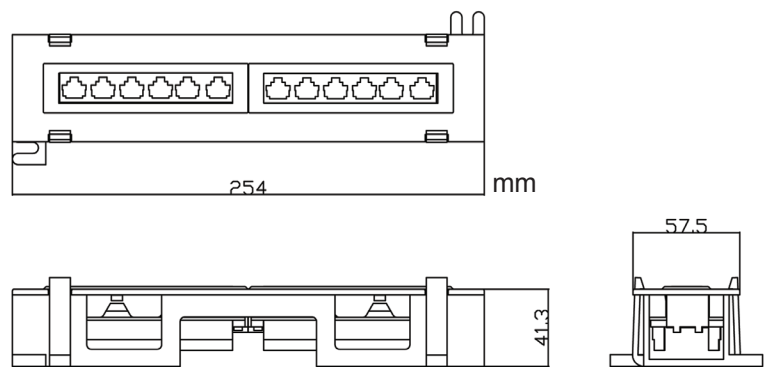
Operating Life	Min. 750 Insertions
Contact Material	Phosphor Bronze
Jack Contact Plating	50 $\mu$ Gold Plated
Jack Plastic Housing	Nylon

### Printed Circuit Board

Material	FR4
Thickness	1.6mm

### Mounting Bracket

Type	89D
Material	Fireproof ABS



**Jack2Rack**

Tel: 951 696-5481

Tel: 951 696-5478

Email: [sales@jack2rack.com](mailto:sales@jack2rack.com)



[www.jack2rack.com](http://www.jack2rack.com)

Rev. 03/2011