

CAT5E 12 PORT MINI PANEL WITH MOUNTING BRACKET

Jack2Rack

DESCRIPTION

CAT5E 12 Port-Mini 110-IDC Patch Panel,
1U, 2-1/4”(W)x10”(H)x1-3/4”(D)

FEATURES

- High Impact Patch Panel
- Tough Black Painted Finish
- Number Labeled for Easy Identification
- Writable & Erasable Marking Surfaces
- 568A & 568B Wiring Color Codes
- 110 IDC Terminals
- ETL Verified to TIA/EIA 568-B.2



SKU: 041-370M

Panel

Material	SECC
Thickness	1.6mm
Plated	Black

IDC Connector

Operating Life	Min. 250 Reterminations
IDC Contact Material	Alloy C2680-H
IDC Thickness	0.8mm
IDC Plating Housing	Bronze & Tinned
Plastin Housing	Fireproof PC
Compability	22-26AWG Solid Wire

Jack Connector

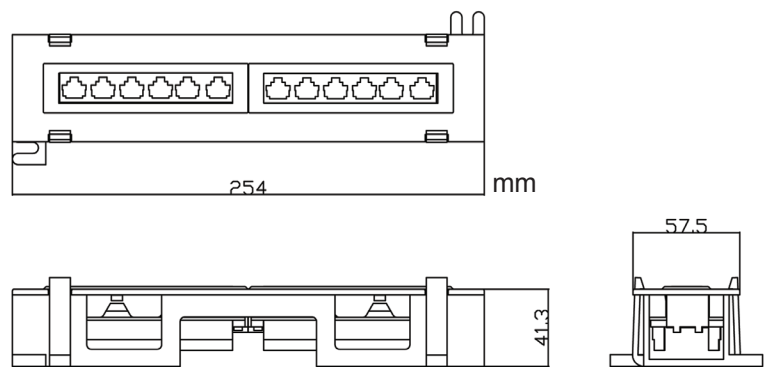
Operating Life	Min. 750 Insertions
Contact Material	Phosphor Bronze
Jack Contact Plating	50 μ Gold Plated
Jack Plastic Housing	Nylon

Printed Circuit Board

Material	FR4
Thickness	1.6mm

Mounting Bracket

Type	89D
Material	Fireproof ABS



Jack2Rack

Tel: 951 696-5481

Tel: 951 696-5478

Email: sales@jack2rack.com



www.jack2rack.com

Rev. 03/2011